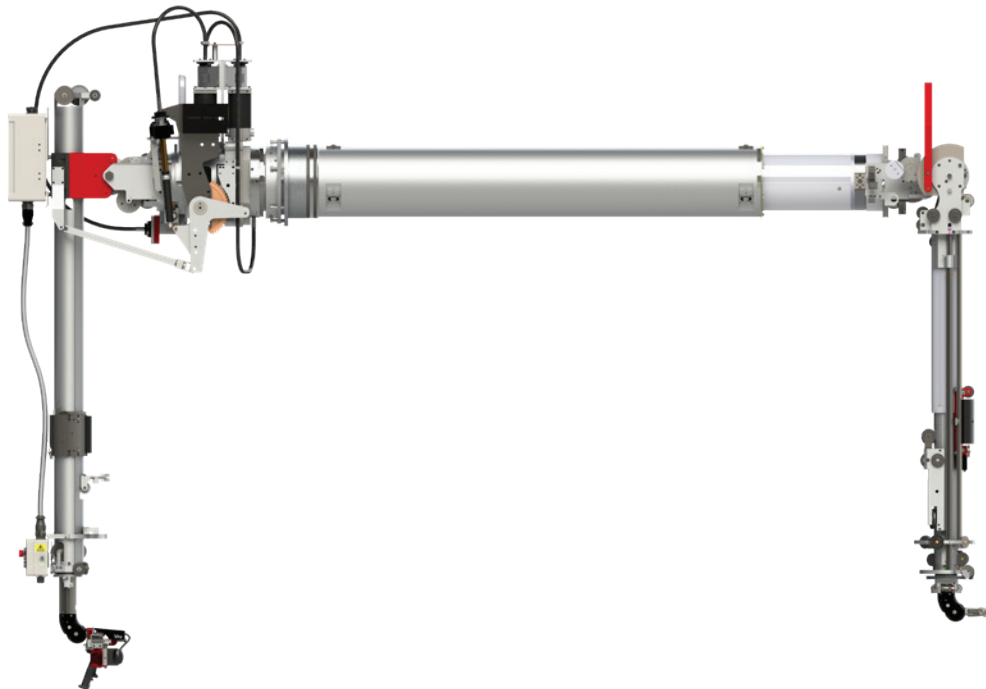


VERSA® Telemanipulator

VERSA® is not just a new telemanipulator, it is the culmination of decades of designs and new innovative development.

VERSA® is the latest CRL telemanipulator to be introduced to the remote handling industry. It aligns with CRL's commitment to continuously improve and develop the best products available. We took your needs seriously to create and manufacture a product that is customizable to any application. It is ergonomically designed and includes a new, improved handle that is fully customized to each operator. VERSA® is truly our most versatile telemanipulator model and poised to be a powerful new product in the industry.

- Ergonomics focused design
- Manual Z indexing to adjust to operator height
- Includes new ergonomically designed VR8 removable handle system



Application Solutions:
NUCLEAR



R&D/D&D



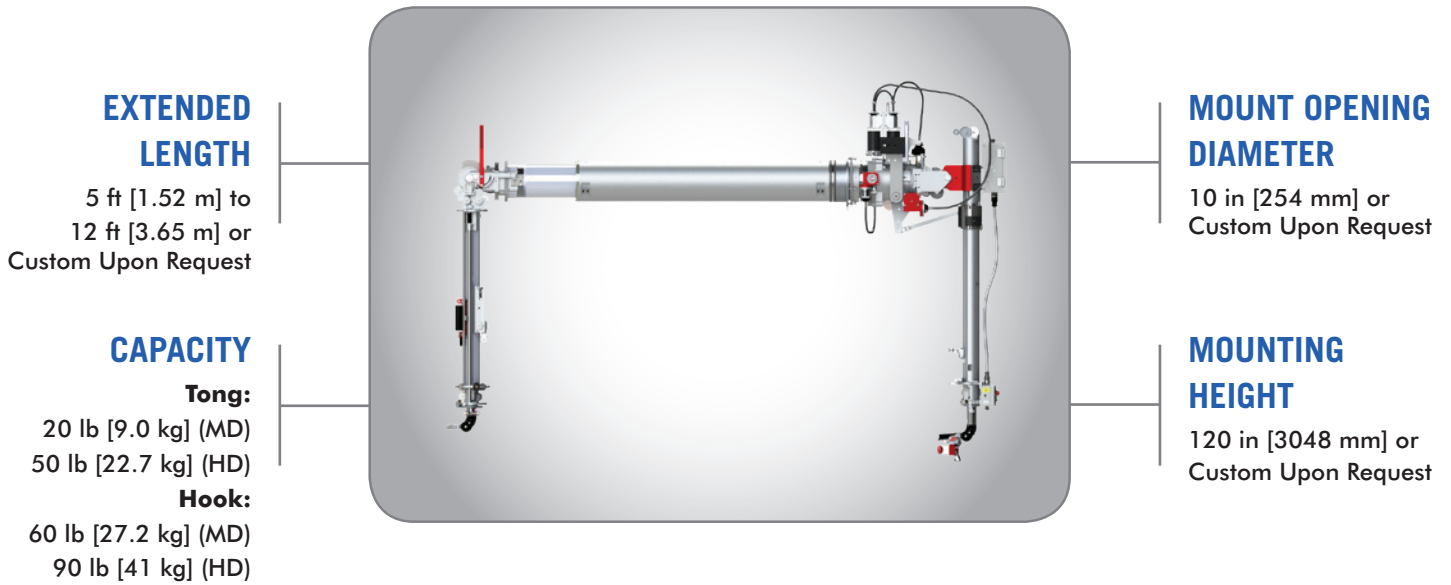
RADIOPHARMA



MATERIAL
TRANSFER

RH_VRSA-F_0118_US

VERSA® Telemanipulator



THREE-PIECE SYSTEM

SEALED/UNSEALED

CUSTOMIZABLE

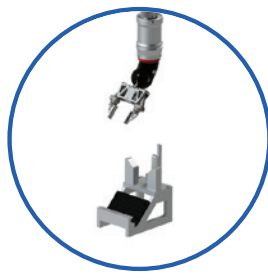
Ergonomics Focused Design with Ease of Use & Maintenance in Mind

Features Available

- Manual Command Arm Z Indexing
- Removable/Changeable Wrist Joint
- Remote Mount Drive System
- Ergonomically Designed Removable VR8 Handle System
- Versatile Seal Tube



VERSA® VR8
Opposed Grip Handle



Removable Wrist
Joint, Fixture

Configuration Options

Shielding

Tong/Jaws

Wrist Joint

Variable Ratio

Handle

Indexing

Motion Locks

Booting

Available Accessories

- Tamper Locks
- Load Hook
- Change Fixture
- Installation/Removal Cart
- Storage Cart
- Wall Tube

RH_VRSA-F_0118_US